

●For 3-Phase Motor Drivers

Part Number	Circuit Count	V _{CE0} (V)/ V _{BSS} (V)/ V _{CEs} (V)	I _c (A)/ I _D (A)	h _{FE} (min)	R _{Ds(ON)} max (Ω)	Equivalent Circuit	Package
SDC07	3	60	4	2000		6	PS16 (Surface-Mount)
STA303A	3	100	4	1000		7	SIP8 (STA8Pin)
STA302A	3	-50	-4	1000		8	SIP8 (STA8Pin)
SDA05	3	-60	-4	2000		9	PS16 (Surface-Mount)
SLA5212	6	35	±8		70m	18	SIP15 with Fin (SLA15Pin)
SLA5096	6	55	±8		80m	18	SIP15 with Fin (SLA15Pin)
SLA5059	6	60	±4		0.55	10	SIP15 with Fin (SLA15Pin)
SLA5060	6	60	±6		0.22	10	SIP12 with Fin (SLA12Pin)
SLA5061	6	60	±10		0.14	10	SIP12 with Fin (SLA12Pin)
SLA5064	6	60	±10		0.14	11	SIP12 with Fin (SLA12Pin)
SMA6080	6	±60	±2	2000		13	SIP12 (SMA12Pin)
SMA6010	6	±60	±4	2000		13	SIP12 (SMA12Pin)
SLA6012	6	±60	±4	2000		12	SIP12 with Fin (SLA12Pin)
SMA5127	6	±60	±4		0.55	14	SIP12 (SMA12Pin)
SLA5022	6	±60	±6	2000	0.22	15	SIP12 with Fin (SLA12Pin)
SLA6023	6	±60	±6	2000		12	SIP12 with Fin (SLA12Pin)
SLA6024	6	±60	±8	2000		12	SIP12 with Fin (SLA12Pin)
SLA6026	6	±60	±10	2000		12	SIP12 with Fin (SLA12Pin)
SMA5125	6	±60	±10		0.14	11	SIP12 (SMA12Pin)
SLA6022	6	±80	±5	2000		12	SIP12 with Fin (SLA12Pin)
SLA6020	6	±100	±5	2000		13	SIP12 with Fin (SLA12Pin)
→ SMA5130	6	±250	±2.5	2000	0.9	20	SIP15 (SMA15Pin)
SMA5131	6	250	2		1.8	17	SIP12 (SMA12Pin)
SMA5112	6	250	7		0.5	17	SIP12 (SMA12Pin)
SMA5117	6	250	7		0.25	17	SIP12 (SMA12Pin)
SMA5132	6	500	1.5		4	17	SIP12 (SMA12Pin)
SMA5133	6	500	2.5		2	17	SIP12 (SMA12Pin)
SLA5075	6	500	±5		1.4	16	SIP15 with Fin (SLA15Pin)
SMA5118	6	500	±5		1.4	17	SIP12 (SMA12Pin)
SLA5201	6	600	7			19	SIP15 with Fin (SLA15Pin)

●For Driving Stepping Motor with Two Supplies

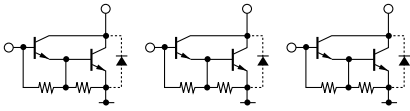
Part Number	Circuit Count	V _{CE0} (V)/ V _{BSS} (V)	I _c (A)/ I _D (A)	h _{FE} (min)	R _{Ds(ON)} max (Ω)	Equivalent Circuit	Package
SMA6511	5	100±15/-60	1.5/-3	2000		27	SIP12 (SMA12Pin)

●For 5-Phase Motor Drive

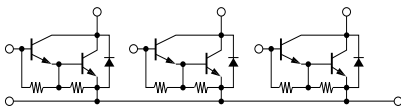
Part Number	Circuit Count	V _{CE0} (V)/ V _{BSS} (V)	I _c (A)/ I _D (A)	h _{FE} (min)	R _{Ds(ON)} max (Ω)	Equivalent Circuit	Package
SLA5074	4	60	5		0.3	22	SIP15 with Fin (SLA15Pin)
SLA5065	4	60	7		0.1	22	SIP15 with Fin (SLA15Pin)
SLA5073	6	60	5		0.3	18	SIP15 with Fin (SLA15Pin)
SLA5068	6	60	7		0.1	16	SIP15 with Fin (SLA15Pin)

●Equivalent Circuit (for Motor Driver)

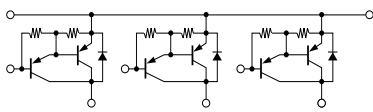
⑥



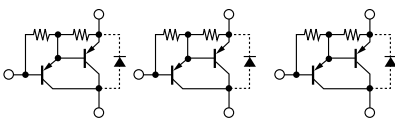
⑦



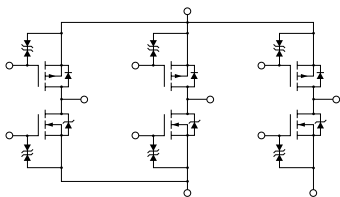
⑧



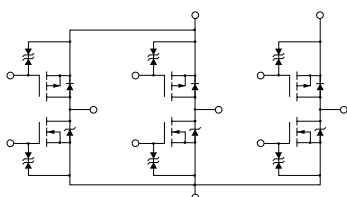
⑨



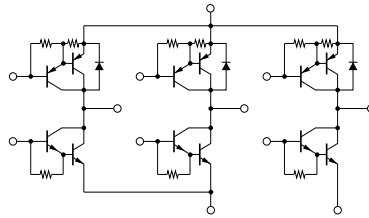
⑩



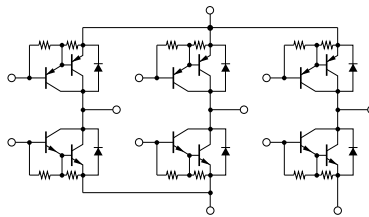
⑪



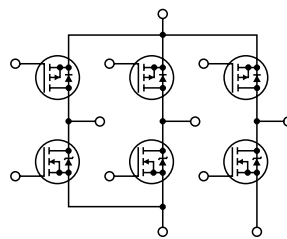
⑫



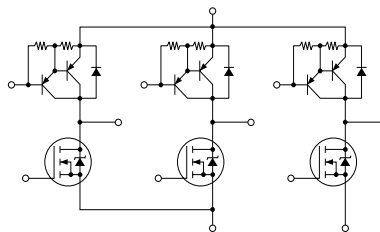
⑬



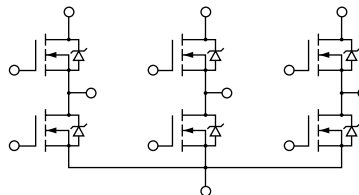
⑭



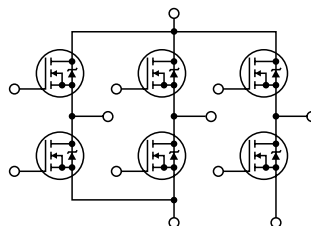
⑮



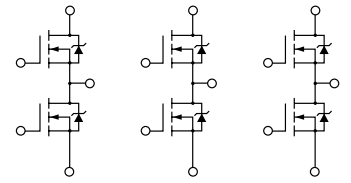
⑯



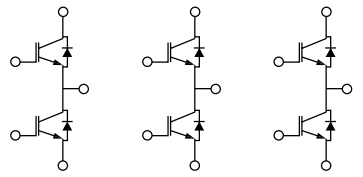
⑰



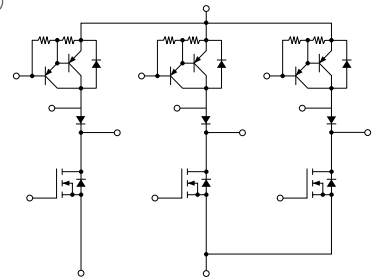
⑱



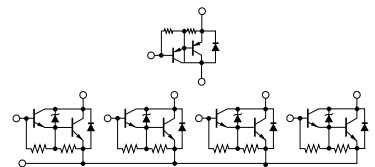
⑲



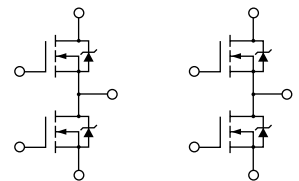
⑳



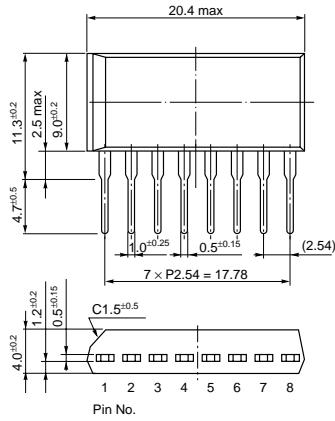
㉑



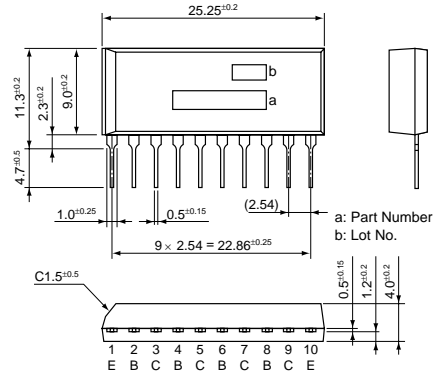
㉒



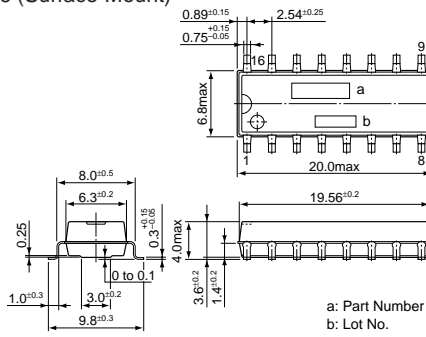
• SIP 8 (STA8Pin)



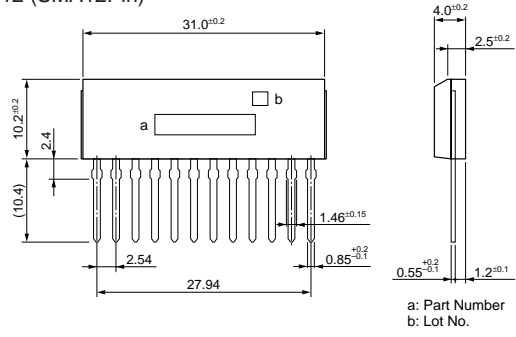
• SIP 10 (STA10Pin)



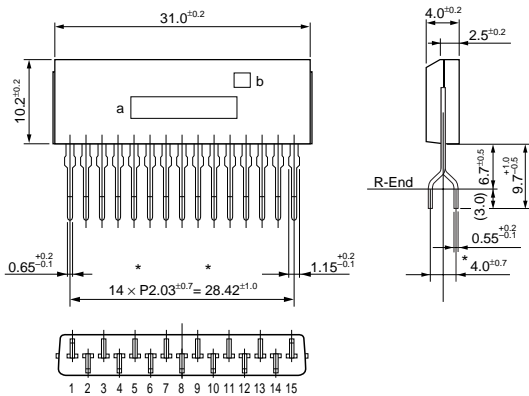
• PS 16 (Surface-Mount)



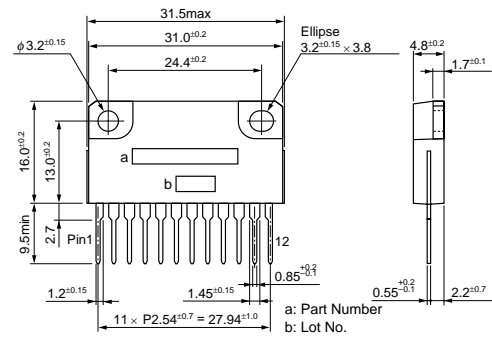
• SIP 12 (SMA12Pin)



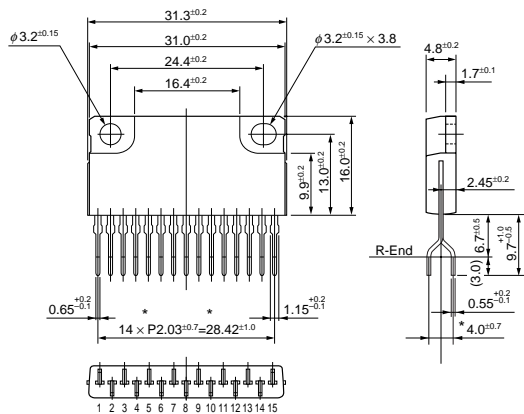
• SIP 15 (SMA15Pin)



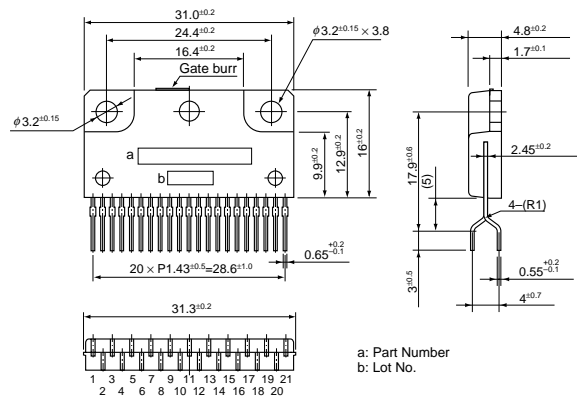
• SIP 12 with Fin (SLA12Pin)



• SIP 15 with Fin (SLA15Pin)



• SIP 21 with Fin (SLA21Pin)



(Unit:mm)