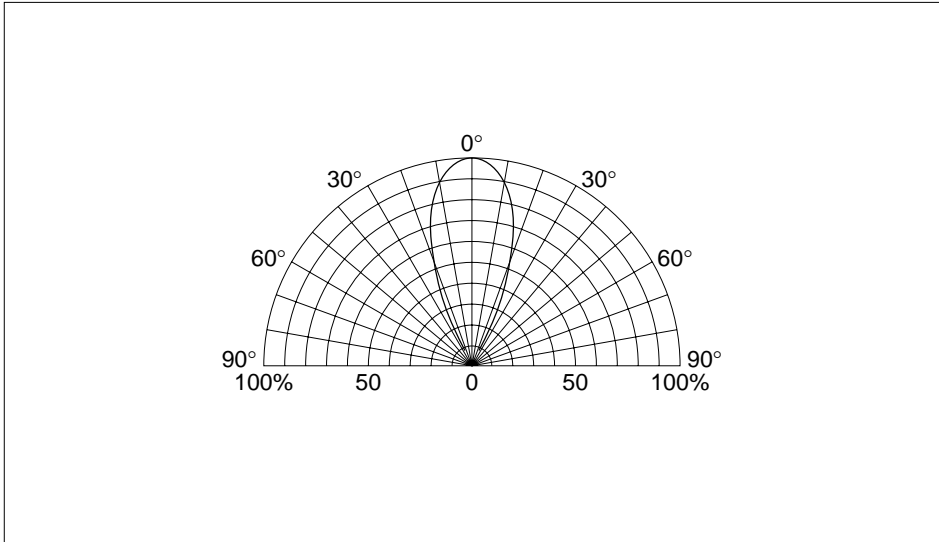


■5φ Round LEDs

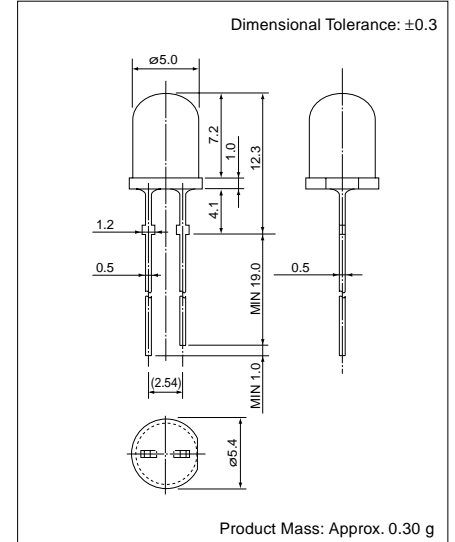
SEL1062 Series

Part Number	Emitting Color	Lens Color	Forward Voltage		Conditions IF (mA)	Luminous Intensity		Peak Wavelength		Dominant Wavelength		Spectrum Half Bandwidth		Chip Material
			V <sub>F</sub> (V) TYP	MAX		I <sub>v</sub> (mcd) TYP	Conditions IF (mA)	λ <sub>P</sub> (nm) TYP	Conditions IF (mA)	λ <sub>d</sub> (nm) TYP	Conditions IF (mA)	Δλ (nm) TYP	Conditions IF (mA)	
SEL1E62CMKT	Blue	Water clear	3.1	4.0	20	3500	20	458	20	465	20	25	25	InGaN
SEL1WA62CMKT	White		Chromaticity: x=0.300, y=0.295										InGaN	
SEL1WC62CMKT	Bulb Light		Chromaticity: x=0.452, y=0.412										InGaN	
SEL1WD62CMKT	Fancy blue green		Chromaticity: x=0.170, y=0.365										InGaN	
SEL1WE62CMKT	Light pink		Chromaticity: x=0.356, y=0.289										InGaN	
SEL1WF62CMKT	Light blue green		Chromaticity: x=0.200, y=0.300										InGaN	
SEL1WH62CMKT	Fancy green		Chromaticity: x=0.260, y=0.460										InGaN	
SEL1WJ62CMKT	Fancy pink		Chromaticity: x=0.382, y=0.268										InGaN	
SEL1WK62CMKT	Fancy red purple		Chromaticity: x=0.421, y=0.221										InGaN	

Directional Characteristics (representative example)



External Dimensions (Unit: mm)



## 5-1 Visible Light LEDs

### Absolute Maximum Ratings

#### ●Visible Light Unicolor Lamp

Parameter	Unit	Ratings					Conditions
		GaP	GaAsP	GaAlAs	AlGaInP	InGaN	
PD	mW	75			120		
IF	mA	30					
ΔIF	mA/°C	-0.45					25°C or higher
IFP	mA	100			70		f=1kHz, tw≤100μs
VR	V	3		5			
T <sub>op</sub>	°C	-30 to +85				-30 to +80	
T <sub>stg</sub>	°C	-30 to +100					

#### ●Visible Light Bicolor Lamp

Parameter	Unit	Ratings					Conditions
		GaP	GaAsP	GaAlAs	AlGaInP	InGaN	
PD	mW	75			120		Same conditions for simultaneous lighting
IF	mA	30					
ΔIF	mA/°C	-0.45					25°C or higher
IFP	mA	100			70		f=1kHz, tw≤100μs
VR	V	4		5			
T <sub>op</sub>	°C	-30 to +85				-30 to +80	
T <sub>stg</sub>	°C	-30 to +100					

#### ●Visible Light Unicolor Surface Mount LEDs

Parameter	Unit	Ratings					Conditions
		GaP	GaAsP	GaAlAs	AlGaInP	InGaN	
IF	mA	30			20		
ΔIF	mA/°C	-0.45					25°C or higher
IFP	mA	100 <sup>*1</sup>			70 <sup>*2</sup>		f=1kHz, tw≤100μs
VR	V	3		5			
T <sub>op</sub>	°C	-30 to +85				-30 to +80	
T <sub>stg</sub>	°C	-30 to +100					

\*1: 70mA for SEC1005/1007 Series  
\*2: 50mA for SEC1005/1007 Series

#### ●Visible Light Bicolor Surface Mount LEDs

Parameter	Unit	Ratings		Conditions
		SEC2002/2004		
PD	mW	75 (Same conditions for simultaneous lighting)		
IF	mA	30		
ΔIF	mA/°C	-0.45		25°C or higher
IFP	mA	70		f=1kHz, tw≤100μs
VR	V	4		
T <sub>op</sub>	°C	-30 to +85		
T <sub>stg</sub>	°C	-30 to +100		

#### ●Visible Light Three Element Surface Mount LEDs

Parameter	Unit	Ratings		Conditions
		SECT3M02C-S		
		Red	Green/Blue	
PD	mW	75	120	When one chip lights up (same as green/blue for simultaneous lighting)
IF	mA	30		
ΔIF	mA/°C	-0.45		25°C or higher
IFP	mA	70	50	f=1kHz, tw≤100μs
VR	V	5		
T <sub>op</sub>	°C	-30 to +80		
T <sub>stg</sub>	°C	-30 to +100		