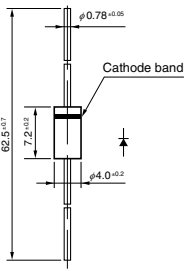


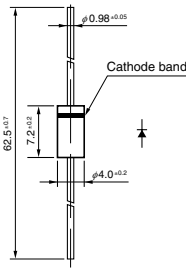
| V _{RM} (V) | I _F (AV) (A) <small>Values in parentheses are for the products with heatsinks</small> | Package Axial <small>(Body Diameter/Lead Diameter)</small> | Part Number | I _{FSM} (A) <small>50Hz Single Half Sine Wave</small> | T _J (°C) | T _{stg} (°C) | V _F (V) max | I _F | | I _R (μA) <small>V_R=V_{RM} max</small> | I _R (H) (mA) <small>V_R=V_{RM} max</small> | T _J (°C) | trr ^① (ns) | trr ^② | | R _{th(j-l)} (°C/W) | Mass (g) |
|------------------------|--|--|----------------|--|------------------------|--------------------------|------------------------------|-----------------------|---|---|---|------------------------|--------------------------|---|---|--------------------------------|-------------|
| | | | | | | | | I _F (A) | I _F /I _{RP} (mA) | | | | | I _F /I _{RP} (mA) | I _F /I _{RP} (mA) | | |
| 400 | 0.7 | Axial (φ 2.4/φ 0.6) | AG01 | 15 | -40 to +150 | 1.8 | 0.7 | 100 | 0.5 | 100(Ta) | 100 | 100/100 | 50 | 100/200 | 22 | 0.13 | |
| | 0.7 | Axial (φ 2.7/φ 0.6) | EG01 | 15 | -40 to +150 | 2.0 | 0.7 | 50 | 0.3 | 100 | 100 | 100/100 | 50 | 100/200 | 20 | 0.2 | |
| | 0.8 | Axial (φ 2.7/φ 0.78) | EG 1 | 15 | -40 to +150 | 1.8 | 0.8 | 50 | 0.3 | 100 | 100 | 100/100 | 50 | 100/200 | 17 | 0.3 | |
| | 1.0 | Axial (φ 2.4/φ 0.6) | AL01 | 20 | -40 to +150 | 1.4 | 1.0 | 10 | 0.05 | 150 | 50 | 100/100 | 35 | 100/200 | 22 | 0.13 | |
| | 1.2 | Axial (φ 4.0/φ 0.78) | RG 10 | 50 | -40 to +150 | 1.8 | 1.5 | 500 | 2.5 | 150 | 100 | 100/100 | 50 | 100/200 | 15 | 0.4 | |
| | 1.2 | Axial (φ 4.0/φ 0.98) | RG 2 | 50 | -40 to +150 | 1.8 | 1.5 | 500 | 2.5 | 150 | 100 | 100/100 | 50 | 100/200 | 12 | 0.6 | |
| | 1.5 | Axial (φ 2.7/φ 0.78) | EL 1 | 40 | -40 to +150 | 1.3 | 1.5 | 10 | 0.05 | 150 | 50 | 100/100 | 35 | 100/200 | 17 | 0.3 | |
| | 2.0 | Axial (φ 4.0/φ 0.98) | RL 2 | 40 | -40 to +150 | 1.3 | 2.0 | 10 | 0.1 | 150 | 50 | 100/100 | 35 | 100/200 | 12 | 0.6 | |
| | 5.0 | TO-220F2Pin | FMXA-1054S | 50 | -40 to +150 | 1.5 | 5.0 | 50 | 15 | 150 | 20 | 500/500 | — | — | 4.0 | 2.1 | |
| | 5.0 | TO-220F (Center-tap) | FMG-14S, R | 35 | -40 to +150 | 2.0 | 2.5 | 500 | 1.5 | 100 | 100 | 100/100 | 50 | 100/200 | 4.0 | 2.1 | |
| | 5.0 | TO-220F (Center-tap) | FML-14S | 40 | -40 to +150 | 1.3 | 2.5 | 50 | 0.1 | 100(Ta) | 50 | 100/100 | 35 | 100/200 | 4.0 | 2.1 | |
| | 5.0 | TO-220F2Pin | FMX-G14S | 70 | -40 to +150 | 1.3 | 5.0 | 50 | 15 | 150 | 30 | 100/100 | 25 | 100/200 | 4.0 | 2.1 | |
| | 5.0 | TO-220F2Pin | FML-G14S | 70 | -40 to +150 | 1.3 | 5.0 | 100 | 0.2 | 150 | 50 | 100/100 | 35 | 100/200 | 4.0 | 2.1 | |
| | 5.0 | TO-220F2Pin | FMN-G14S | 70 | -40 to +150 | 1.0 | 5.0 | 50 | 10 | 150 | 100 | 100/100 | 50 | 100/200 | 4.0 | 2.1 | |
| | 8.0 | TO-220F (Center-tap) | FMG-24S, R | 65 | -40 to +150 | 2.0 | 5.0 | 500 | 2.5 | 150 | 100 | 100/100 | 50 | 100/200 | 4.0 | 2.1 | |
| | 10 | TO-220F (Center-tap) | FML-24S | 70 | -40 to +150 | 1.3 | 5.0 | 100 | 0.2 | 100(Ta) | 50 | 100/100 | 35 | 100/200 | 4.0 | 2.1 | |
| | 10 | TO-220F2Pin | FMXA-1104S | 100 | -40 to +150 | 1.50 | 10 | 100 | 30 | 150 | 25 | 500/500 | — | — | 4.0 | 2.1 | |
| | 20 | TO-3PF (Center-tap) | FML-4204S | 100 | -40 to +150 | 1.3 | 10 | 50 | 0.4 | 150 | 50 | 500/500 | 35 | 500/1000 | 2.0 | 6.5 | |
| 20 | TO-3PF (Center-tap) | FMXA-4204S* | 100 | -40 to +150 | 1.5 | 10 | 100 | 30 | 150 | 25 | 500/500 | — | — | 2.0 | 6.5 | | |
| 20 | TO-3PF (Center-tap) | FMD-4204S* | 100 | -40 to +150 | 1.4 | 10 | 20 | 0.2 | 150 | 50 | 500/500 | 30 | 500/1000 | 2.0 | 6.5 | | |
| 500 | 1.0 | Axial (φ 4.0/φ 0.78) | RD1105* | 20 | -40 to +150 | 1.4 | 1.0 | 10 | 0.1 | 150 | 40 | 100/100 | 30 | 100/200 | 15 | 0.4 | |
| 600 | 0.5 | Axial (φ 2.7/φ 0.6) | EG01A | 10 | -40 to +150 | 2.0 | 0.5 | 100 | 0.5 | 100 | 100 | 100/100 | 50 | 100/200 | 20 | 0.2 | |
| | 0.5 | Axial (φ 2.4/φ 0.6) | AG01A | 15 | -40 to +150 | 1.8 | 0.5 | 100 | 0.5 | 100(Ta) | 100 | 100/100 | 50 | 100/200 | 22 | 0.13 | |
| | 0.6 | Axial (φ 2.7/φ 0.78) | EG 1A | 10 | -40 to +150 | 2.0 | 0.6 | 100 | 0.5 | 100 | 100 | 100/100 | 50 | 100/200 | 17 | 0.3 | |
| | 1.0 | Axial (φ 4.0/φ 0.78) | RG 10A | 50 | -40 to +150 | 2.0 | 1.0 | 500 | 1.0 | 150 | 100 | 100/100 | 50 | 100/200 | 15 | 0.4 | |
| | 1.0 | Axial (φ 4.0/φ 0.98) | RG 2A | 50 | -40 to +150 | 2.0 | 1.0 | 500 | 1.0 | 150 | 100 | 100/100 | 50 | 100/200 | 12 | 0.6 | |
| | 1.2 | Axial (φ 4.0/φ 0.98) | RD 2A | 30 | -40 to +150 | 1.55 | 1.2 | 50 | 0.1 | 150 | 50 | 100/100 | 35 | 100/200 | 12 | 0.6 | |
| | 3.0 | TO-220F (Two elements) | FMC-26U | 50 | -40 to +150 | 2.0 | 3.0 | 500 | 3.0 | 150 | 70 | 500/500 | 35 | 500/1000 | 4.0 | 2.1 | |
| | 3.0 | Axial (φ 6.5/φ 1.4) | RL 4A | 80 | -40 to +150 | 1.5 | 3.0 | 50 | 0.1 | 150 | 50 | 500/500 | 35 | 500/1000 | 8.0 | 1.2 | |
| | 3.0 | Axial (φ 6.5/φ 1.4) | RN4A | 50 | -40 to +150 | 1.3 | 3.0 | 50 | 5.0 | 150 | 100 | 100/100 | 50 | 100/200 | 8.0 | 1.2 | |
| | 4.0 | TO-220F2Pin | FMG-G26S | 50 | -40 to +150 | 2.5 | 4.0 | 500 | 3.0 | 100(Ta) | 100 | 100/100 | 50 | 100/200 | 4.0 | 2.1 | |
| | 5.0 | TO-220F2Pin | FMX-G16S | 50 | -40 to +150 | 1.5 | 5.0 | 50 | 15 | 150 | 30 | 100/100 | 25 | 100/200 | 4.0 | 2.1 | |
| | 5.0 | TO-220F2Pin | FML-G16S | 50 | -40 to +150 | 1.5 | 5.0 | 100 | 0.5 | 150 | 50 | 500/500 | 35 | 500/1000 | 4.0 | 2.1 | |
| | 5.0 | TO-220F2Pin | FMN-G16S | 50 | -40 to +150 | 1.2 | 5.0 | 50 | 10 | 150 | 100 | 100/100 | 50 | 100/200 | 4.0 | 2.1 | |
| | 5.0 | TO-220F2Pin | FMN-1056S | 60 | -40 to +150 | 1.3 | 5.0 | 50 | 5.0 | 150 | 100 | 100/100 | 50 | 100/200 | 4.0 | 2.1 | |
| | 5.0 | TO-220F2Pin | FMD-1056S* | 90 | -40 to +150 | 1.7 | 5.0 | 10 | 0.1 | 150 | 50 | 500/500 | 35 | 500/1000 | 4.0 | 2.1 | |
| | 6.0 | TO-220F (Center-tap) | FMG-26S, R | 50 | -40 to +150 | 2.2 | 3.0 | 500 | 3.0 | 150 | 100 | 100/100 | 50 | 100/200 | 4.0 | 2.1 | |
| | 8.0 | TO-220F2Pin | FMXK-1086S | 100 | -40 to +150 | 1.75 | 8.0 | 30 | 6.0 | 150 | 27 | 500/500 | — | — | 4.0 | 2.1 | |
| | 10 | TO-220F2Pin | FMX-1106S | 50 | -40 to +150 | 1.5 | 5.0 | 50 | 15 | 150 | 30 | 100/100 | 25 | 100/200 | 4.0 | 2.1 | |
| | 10 | TO-220F2Pin | FMX-G26S | 100 | -40 to +150 | 1.5 | 10 | 100 | 20 | 150(Ta) | 30 | 100/100 | 25 | 100/200 | 4.0 | 2.1 | |
| | 10 | TO-220F2Pin | FMD-G26S | 100 | -40 to +150 | 1.7 | 10 | 100 | 0.3 | 100(Ta) | 50 | 500/500 | 30 | 500/1000 | 4.0 | 2.1 | |
| | 10 | TO-220F2Pin | FMXA-1106S | 100 | -40 to +150 | 1.98 | 10 | 100 | 30 | 150 | 28 | 500/500 | — | — | 4.0 | 2.1 | |
| | 10 | TO-220F2Pin | FMNS-1106S | 100 | -40 to +150 | 1.3 | 10 | 100 | 10 | 150 | 100 | 100/100 | 50 | 100/200 | 4.0 | 2.1 | |
| | 10 | TO-220F2Pin | FMN-1106S | 150 | -40 to +150 | 1.3 | 10 | 100 | 10 | 150 | 100 | 100/100 | 50 | 100/200 | 4.0 | 2.1 | |
| | 10 | TO-220F2Pin | FMD-1106S* | 180 | -40 to +150 | 1.7 | 10 | 20 | 0.2 | 150 | 50 | 500/500 | 35 | 500/1000 | 4.0 | 2.1 | |
| | 10 | TO-220F2Pin | FMXK-1106S | 100 | -40 to +150 | 1.75 | 10 | 100 | 10 | 150 | 27 | 500/500 | — | — | 4.0 | 2.1 | |
| | 20 | TO-220F (Center-tap) | FMN-2206S | 150 | -40 to +150 | 1.3 | 10 | 100 | 10 | 150 | 100 | 100/100 | 50 | 100/200 | 4.0 | 2.1 | |
| | 20 | TO-220F (Center-tap) | FMXK-2206S | 100 | -40 to +150 | 1.75 | 10 | 100 | 10 | 150 | 27 | 500/500 | — | — | 4.0 | 2.1 | |
| | 20 | TO-3PF (Center-tap) | FMD-4206S | 100 | -40 to +150 | 1.7 | 10 | 100 | 0.3 | 150 | 50 | 500/500 | 30 | 500/1000 | 2.0 | 6.5 | |
| 20 | TO-3PF (Center-tap) | FMX-4206S* | 100 | -40 to +150 | 1.5 | 10 | 100 | 20 | 150 | 30 | 500/500 | — | — | 2.0 | 6.5 | | |
| 20 | TO-3PF (Center-tap) | FMXA-4206S* | 100 | -40 to +150 | 1.98 | 10 | 100 | 30 | 150 | 28 | 500/500 | — | — | 2.0 | 6.5 | | |
| 20 | TO-3PF (Center-tap) | FMN-4206S | 150 | -40 to +150 | 1.5 | 10 | 100 | 20 | 150 | 100 | 100/100 | 50 | 100/200 | 2.0 | 6.5 | | |

*Under development

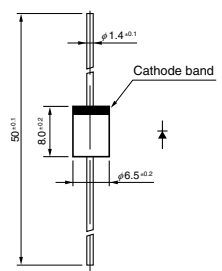
• No. 13 Axial ($\phi 4.0/\phi 0.78$)



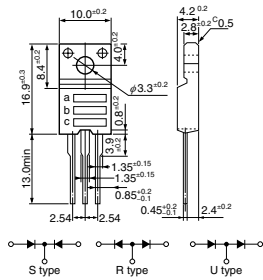
• No. 14 Axial ($\phi 4.0/\phi 0.98$)



• No. 15 Axial ($\phi 6.5/\phi 1.4$)

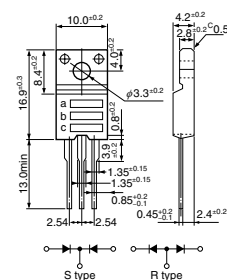


• No. 16 TO-220F (Two Elements)



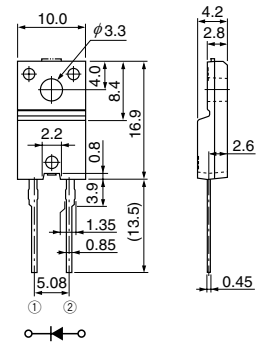
a: Part Number
b: Polarity
c: Lot No.

• No. 17 TO-220F (Center-tap)

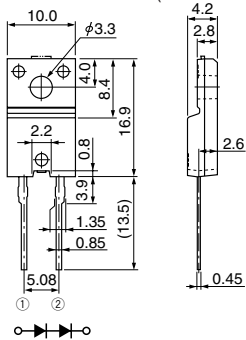


a: Part Number
b: Polarity
c: Lot No.

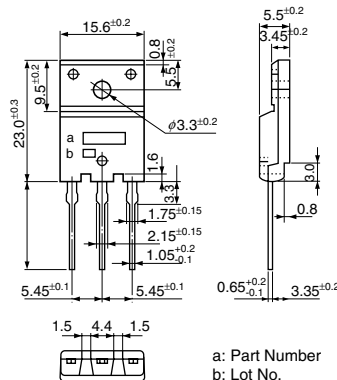
• No. 18 TO-220F2Pin



• No. 19 TO-220F2Pin (Two Elements)

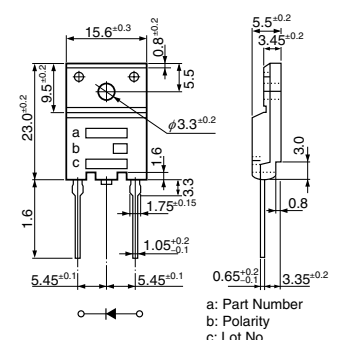


• No. 20 TO-3PF



a: Part Number
b: Lot No.

• No. 21 TO-3PF2Pin



a: Part Number
b: Polarity
c: Lot No.