

4-2 Fast Recovery Diodes

| V _{RM} (V) | I _F (AV) (A) <small>Values in parentheses are for the products with heatsinks</small> | Package Axial <small>Body Diameter/Lead Diameter</small> | Part Number | I _{FSM} (A) | T _j (°C) | T _{stg} (°C) | V _F (V) max | I _F (A) | I _r (μA) | I _{r(H)} (μA) | T _a (°C) | trr ⁽¹⁾ (μs) | I _F /I _{RP} (mA) | trr ⁽²⁾ (μs) | I _F /I _{RP} (mA) | R _{th(j-l)} R _{th(j-c)} (°C/W) | Mass (g) |
|------------------------|--|---|-------------|--|------------------------|--------------------------|------------------------------|-----------------------|--------------------------------------|--------------------------------------|------------------------|----------------------------|---|----------------------------|---|--|-------------|
| | | | | 50Hz <small>Single Half Sine Wave</small> | | | | | V _{R=V_{RM}} max | V _{R=V_{RM}} max | | | | | | | |
| | | | | | | | | | | | | | | | | | |
| 600 | 0.25 | Axial(φ4.0/φ0.78) | RU 1A | 15 | -40 to +150 | 2.5 | 0.25 | 10 | 200 | 100 | 0.4 | 10/10 | 0.18 | 10/20 | 15 | 0.4 | |
| | 0.5 | Axial(φ2.4/φ0.6) | AU01A | 15 | -40 to +150 | 1.7 | 0.5 | 10 | 150 | 100 | 0.4 | 10/10 | 0.18 | 10/20 | 22 | 0.13 | |
| | 0.6 | Axial(φ4.0/φ0.78) | RF 1A | 15 | -40 to +150 | 2.0 | 0.6 | 10 | 200 | 100 | 0.4 | 10/10 | 0.18 | 10/20 | 15 | 0.4 | |
| | 0.6 | Axial(φ2.4/φ0.6) | AS01A | 20 | -40 to +150 | 1.5 | 0.6 | 10 | 50 | 100 | 1.5 | 10/10 | 0.6 | 10/20 | 22 | 0.13 | |
| | 0.6 | Axial(φ4.0/φ0.78) | RH 1A | 35 | -40 to +150 | 1.3 | 0.6 | 5 | 70 | 150 | 4 | 10/10 | 1.3 | 10/20 | 15 | 0.4 | |
| | 0.7 | Axial(φ2.7/φ0.6) | ES01A | 30 | -40 to +150 | 2.5 | 0.8 | 10 | 200 | 100 | 1.5 | 10/10 | 0.6 | 10/20 | 20 | 0.2 | |
| | 0.7 | Axial(φ4.0/φ0.78) | RS 1A | 30 | -40 to +150 | 2.5 | 0.8 | 10 | 200 | 100 | 1.5 | 10/10 | 0.6 | 10/20 | 15 | 0.4 | |
| | 0.8 | Axial(φ2.4/φ0.6) | AU02A | 25 | -40 to +150 | 1.3 | 0.8 | 10 | 250 | 100 | 0.4 | 10/10 | 0.18 | 10/20 | 22 | 0.13 | |
| | 1.0 | Axial(φ2.7/φ0.6) | EU02A | 15 | -40 to +150 | 1.4 | 1.0 | 10 | 300 | 100 | 0.4 | 10/10 | 0.18 | 10/20 | 20 | 0.2 | |
| | 1.0 | Axial(φ2.7/φ0.78) | EU 2A | 15 | -40 to +150 | 1.4 | 1.0 | 10 | 300 | 100 | 0.4 | 10/10 | 0.18 | 10/20 | 17 | 0.3 | |
| | 1.0 | Axial(φ4.0/φ0.78) | RU 2 | 20 | -40 to +150 | 1.5 | 1.0 | 10 | 300 | 100 | 0.4 | 10/10 | 0.18 | 10/20 | 15 | 0.4 | |
| | 1.1 | Axial(φ4.0/φ0.78) | RU 2AM | 20 | -40 to +150 | 1.2 | 1.1 | 10 | 300 | 100 | 0.4 | 10/10 | 0.18 | 10/20 | 15 | 0.4 | |
| | 1.5 | Axial(φ4.0/φ0.98) | RU 3A | 20 | -40 to +150 | 1.5 | 1.5 | 10 | 400 | 100 | 0.4 | 10/10 | 0.18 | 10/20 | 12 | 0.6 | |
| | 1.5 | Axial(φ4.0/φ0.78) | RU 20A | 50 | -40 to +150 | 1.1 | 1.5 | 10 | 350 | 100 | 0.4 | 10/10 | 0.18 | 10/20 | 15 | 0.4 | |
| | 1.5 | Axial(φ4.0/φ0.98) | RU 3AM | 50 | -40 to +150 | 1.1 | 1.5 | 10 | 350 | 100 | 0.4 | 10/10 | 0.18 | 10/20 | 12 | 0.6 | |
| | 1.5(3.0) | Axial(φ6.5/φ1.4) | RU 4A | 50 | -40 to +150 | 1.5 | 3.0 | 10 | 300 | 100 | 0.4 | 10/10 | 0.18 | 10/20 | 8 | 1.2 | |
| | 2.0(3.5) | Axial(φ6.5/φ1.4) | RU 4AMS | 70 | -40 to +150 | 1.3 | 3.5 | 10 | 300 | 100 | 0.4 | 100/100 | 0.18 | 100/200 | 8 | 1.2 | |
| | 3.0 | Axial(φ5.2/φ1.2) | RY3A | 50 | -40 to +150 | 1.15 | 3.0 | 10 | 1000 | 150(T _j) | 0.2 | 100/100 | 0.1 | 100/200 | 10 | 1.0 | |
| | 3.0 | Axial(φ4.0/φ0.98) | RY2A | 50 | -40 to +150 | 1.15 | 3.0 | 10 | 1000 | 150(T _j) | 0.2 | 100/100 | 0.1 | 100/200 | 12 | 0.6 | |
| | 3.0 | TO-220F2Pin | FMU-1036S | 50 | -40 to +150 | 1.15 | 3.0 | 10 | 1000 | 150 | 0.2 | 100/100 | 0.1 | 100/200 | 4.0 | 2.1 | |
| 5.0 | TO-220F2Pin | FMU-G16S | 30 | -40 to +150 | 1.25 | 5.0 | 50 | 500 | 100 | 0.4 | 100/100 | 0.18 | 100/200 | 4.0 | 2.1 | | |
| 5.0 | TO-220F(Center-tap) | FMU-16S, R | 30 | -40 to +150 | 1.5 | 2.5 | 50 | 500 | 100 | 0.4 | 100/100 | 0.18 | 100/200 | 4.0 | 2.1 | | |
| 10 | TO-220F(Center-tap) | FMU-26S, R | 40 | -40 to +150 | 1.5 | 5.0 | 50 | 500 | 100 | 0.4 | 100/100 | 0.18 | 100/200 | 4.0 | 2.1 | | |
| 10 | TO-220F2Pin | FMU-G26S | 40 | -40 to +150 | 1.35 | 10 | 50 | 500 | 100 | 0.4 | 100/100 | 0.18 | 100/200 | 4.0 | 2.1 | | |
| 10 | TO-220F2Pin | FMU-1106S | 180 | -40 to +150 | 1.15 | 10 | 30 | 3000 | 150 | 0.2 | 100/100 | 0.1 | 100/200 | 4.0 | 2.1 | | |
| 20 | TO-220F(Center-tap) | FMU-2206S | 180 | -40 to +150 | 1.15 | 10 | 30 | 3000 | 150 | 0.2 | 100/100 | 0.1 | 100/200 | 4.0 | 2.1 | | |
| 800 | 0.25 | Axial(φ4.0/φ0.78) | RU 1B | 15 | -40 to +150 | 2.5 | 0.25 | 10 | 200 | 100 | 0.4 | 10/10 | 0.18 | 10/20 | 15 | 0.4 | |
| | 0.6 | Axial(φ4.0/φ0.78) | RF 1B | 15 | -40 to +150 | 2.0 | 0.6 | 10 | 200 | 100 | 0.4 | 10/10 | 0.18 | 10/20 | 15 | 0.4 | |
| | 0.6 | Axial(φ4.0/φ0.78) | RH 1B | 35 | -40 to +150 | 1.3 | 0.6 | 5 | 70 | 150 | 4 | 10/10 | 1.3 | 10/20 | 15 | 0.4 | |
| | 0.7 | Axial(φ4.0/φ0.78) | RS 1B | 30 | -40 to +150 | 2.5 | 0.8 | 10 | 200 | 100 | 1.5 | 10/10 | 0.6 | 10/20 | 20 | 0.4 | |
| | 1.0 | Axial(φ4.0/φ0.78) | RU 2B | 20 | -40 to +150 | 1.5 | 1.0 | 10 | 300 | 100 | 0.4 | 10/10 | 0.18 | 10/20 | 15 | 0.4 | |
| | 1.1 | Axial(φ4.0/φ0.98) | RU 3B | 20 | -40 to +150 | 1.5 | 1.0 | 10 | 400 | 100 | 0.4 | 10/10 | 0.18 | 10/20 | 12 | 0.6 | |
| | 1.5(3.0) | Axial(φ6.5/φ1.4) | RU 4B | 50 | -40 to +150 | 1.6 | 3.0 | 10 | 500 | 100 | 0.4 | 10/10 | 0.18 | 10/20 | 8 | 1.2 | |
| 1000 | 0.2 | Axial(φ4.0/φ0.78) | RU 1C | 15 | -40 to +150 | 3.0 | 0.25 | 10 | 200 | 100 | 0.4 | 10/10 | 0.18 | 10/20 | 15 | 0.4 | |
| | 0.6 | Axial(φ4.0/φ0.78) | RH 1C | 35 | -40 to +150 | 1.3 | 0.6 | 5 | 70 | 150 | 4 | 10/10 | 1.3 | 10/20 | 15 | 0.4 | |
| | 0.8 | Axial(φ4.0/φ0.78) | RU 2C | 20 | -40 to +150 | 1.5 | 1.0 | 10 | 300 | 100 | 0.4 | 10/10 | 0.18 | 10/20 | 15 | 0.4 | |
| | 1.5 | Axial(φ4.0/φ0.98) | RU 3C | 20 | -40 to +150 | 2.5 | 1.5 | 10 | 400 | 100 | 0.4 | 10/10 | 0.18 | 10/20 | 12 | 0.6 | |
| | 1.5(2.5) | Axial(φ6.5/φ1.4) | RU 4C | 50 | -40 to +150 | 1.6 | 3.0 | 50 | 500 | 100 | 0.4 | 100/100 | 0.18 | 100/200 | 8 | 1.2 | |
| 1300 | 1.0 | Axial(φ4.0/φ0.98) | RH 2D | 60 | -40 to +150 | 1.0 | 1.0 | 10 | 500 | 100 | 4 | 10/10 | 1.3 | 100/200 | 12 | 0.6 | |
| | 1.2(1.5) | Axial(φ6.5/φ1.4) | RU 4D | 50 | -40 to +150 | 1.8 | 1.5 | 50 | 500 | 100 | 0.4 | 500/500 | 0.18 | 500/1000 | 8 | 1.2 | |
| | 1.5(2.5) | Axial(φ6.5/φ1.4) | RU 4DS | 50 | -40 to +150 | 1.8 | 3.0 | 50 | 500 | 100 | 0.4 | 500/500 | 0.18 | 500/1000 | 8 | 1.2 | |
| 1500 | 0.5 | Axial(φ2.7/φ0.6) | ES01F | 20 | -40 to +150 | 2.0 | 0.5 | 10 | 200 | 100 | 1.5 | 10/10 | 0.6 | 10/20 | 20 | 0.2 | |
| | 0.5 | Axial(φ2.7/φ0.78) | ES 1F | 20 | -40 to +150 | 2.0 | 0.5 | 10 | 200 | 100 | 1.5 | 10/10 | 0.6 | 10/20 | 17 | 0.3 | |
| | 1.0 | Axial(φ4.0/φ0.98) | RH 2F | 60 | -40 to +150 | 1.0 | 1.0 | 10 | 500 | 100 | 4 | 10/10 | 1.3 | 100/200 | 12 | 0.6 | |
| | 2.0 | Axial(φ5.2/φ1.2) | RS 3FS | 50 | -40 to +150 | 1.1 | 3.0 | 50 | 500 | 100 | 2 | 100/100 | 0.8 | 100/200 | 10 | 1.0 | |
| | 2.0 | Axial(φ5.2/φ1.2) | RP 3F | 50 | -40 to +150 | 1.7 | 2.0 | 50 | 500 | 100 | 0.7 | 500/500 | 0.3 | 500/1000 | 10 | 1.0 | |
| | 2.5 | Axial(φ5.2/φ1.2) | RH 3F | 50 | -40 to +150 | 1.3 | 2.5 | 50 | 500 | 100 | 4 | 100/100 | 1.3 | 100/200 | 10 | 1.0 | |
| | 1.5(2.5) | Axial(φ6.5/φ1.4) | RS 4FS | 50 | -40 to +150 | 1.5 | 3.0 | 50 | 500 | 100 | 1 | 100/100 | 0.4 | 100/200 | 8 | 1.2 | |
| | 2.5 | Axial(φ6.5/φ1.4) | RH 4F | 50 | -40 to +150 | 1.5 | 2.5 | 10 | 350 | 100 | 4 | 100/100 | 1.3 | 100/200 | 8 | 1.2 | |
| | 5.0 | TO-220F2Pin | FMQ-G1FS | 50 | -40 to +150 | 5.0 | 5.0 | 50 | 500 | 150 | 0.7 | 500/500 | 0.3 | 500/1000 | 4.0 | 2.1 | |
| | 10 | TO-220F2Pin | FMQ-G2FS | 50 | -40 to +150 | 2.8 | 10 | 50 | 500 | 150(T _j) | 0.5 | 500/500 | 0.2 | 500/1000 | 4.0 | 2.1 | |
| 10 | TO-220F2Pin | FMU-G2FS | 50 | -40 to +150 | 1.6 | 10 | 50 | 6000 | 150(T _j) | 0.6 | 500/500 | 0.25 | 500/1000 | 4.0 | 2.1 | | |
| 10 | TO-220F2Pin | FMQ-G2FLS | 50 | -40 to +150 | 1.8 | 10 | 50 | 500 | 150(T _j) | 1.2 | 500/500 | 0.4 | 500/1000 | 4.0 | 2.1 | | |
| 10 | TO-220F2Pin | FMQ-G2FMS | 50 | -40 to +150 | 2.4 | 10 | 50 | 500 | 150 | 0.5 | 500/500 | 0.25 | 500/1000 | 4.0 | 2.1 | | |
| 10 | TO-3PF2Pin | FMQ-G5FMS | 50 | -40 to +150 | 2.4 | 10 | 50 | 500 | 100 | 0.5 | 500/500 | 0.2 | 500/1000 | 2 | 6.5 | | |
| 10 | TO-3PF2Pin | FMV-G5FS | 50 | -40 to +150 | 1.5 | 10 | 50 | 700 | 100 | 2.0 | 500/500 | 0.8 | 500/1000 | 2 | 6.5 | | |
| 1600 | 2.5 | Axial(φ5.2/φ1.2) | RH 3G | 50 | -40 to +150 | 1.3 | 2.5 | 50 | 500 | 100 | 4 | 100/100 | 1.3 | 100/200 | 10 | 1.0 | |
| 1700 | 10 | TO-3PF2Pin | FMQ-G5GS | 50 | -40 to +150 | 2.7 | 10 | 100 | 500 | 100 | 0.5 | 500/500 | 0.2 | 500/1000 | 2 | 6.5 | |
| 2000 | 0.2 | Axial(φ4.0/φ0.78) | RC 2 | 20 | -40 to +150 | 2.0 | 0.2 | 10 | 300 | 100 | 4.0 | 10/10 | 1.3 | 10/20 | 15 | 0.4 | |

*Under development

• No. 13 Axial ($\phi 4.0/\phi 0.78$)



• No. 14 Axial ($\phi 4.0/\phi 0.98$)



• No. 15 Axial ($\phi 5.2/\phi 1.2$)



• No. 16 Axial ($\phi 6.5/\phi 1.4$)



• No. 17 TO-220F (Two Elements)



a: Part Number
b: Polarity
c: Lot No.

• No. 18 TO-220F (Center-tap)



a: Part Number
b: Polarity
c: Lot No.

• No. 19 TO-220F2Pin



• No. 20 TO-220F2Pin (Two Elements)

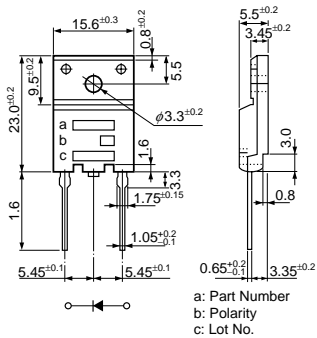


• No. 21 TO-3PF



a: Part Number
b: Lot No.

• No. 22 TO-3PF2Pin



a: Part Number
b: Polarity
c: Lot No.

• No. 23 RBV-60

