

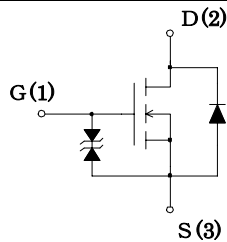
Features

N channel 40V MOSFET for automotive application
TO220F: wide pin package (for high current)

Applications

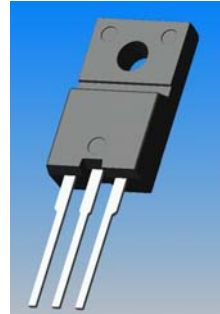
Automotive: EPS motor driver application
Automotive: Other motor driver and solenoid driver application

Internal Equivalent Circuit



Package

FM20 (TO220 Full Mold)



Key Specifications

Absolute maximum ratings

(Ta=25°C)

Characteristic	Symbol	Rating	Unit
Drain to Source Voltage	V _{DSS}	40	V
Gate to Source Voltage	V _{GSS}	±20	V
Continuous Drain Current	I _D	±70	A
Pulsed Drain Current	I _{D(pulse)} ^{※1}	±140	A
Maximum Power Dissipation	P _D	35 (T _c =25°C)	W
Single Pulse Avalanche Energy	E _{AS} ^{※2}	400	mJ
Avalanche Current	I _{AS}	25	A
Maximum Drain to Source dv/dt 1	dv/dt 1 ^{※2}	0.3	V/ns
Peak diode recovery dv/dt 2	dv/dt 2 ^{※3}	1.0	V/ns
Peak diode recovery di/dt	di/dt ^{※3}	100	A/μs
Channel Temperature	T _{ch}	150	°C
Storage Temperature	T _{stg}	-55~150	°C

※1 PW ≤ 100 μ sec. duty cycle ≤ 1%

※2 V_{DD}=20V, L=1mH, I_L=20A, unclamped, R_g=50Ω, See Fig.1

※3 I_{SD}=25A, See Fig.2

The information included herein is believed to be accurate and reliable. However, SANKEN ELECTRIC CO., LTD assumes no responsibility for its use ; nor for any infringements of patents or other rights of third parties that may result from its use.

Electrical characteristics

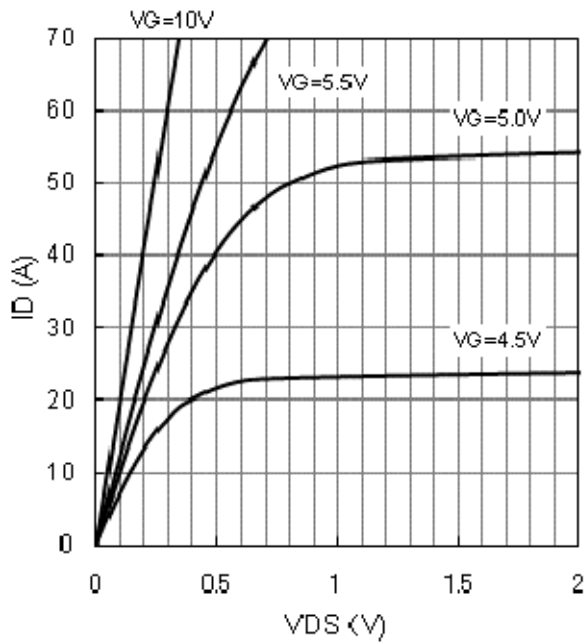
(Ta=25°C)

Characteristic	Symbol	Test Conditions	Limits			Unit
			MIN	TYP	MAX	
Drain to Source breakdown Voltage	$V_{(BR)DSS}$	$I_D=100\mu A, V_{GS}=0V$	40			V
Gate to Source Leakage Current	I_{GSS}	$V_{GS}=\pm 15V$			± 2	μA
Drain to Source Leakage Current	I_{DSS}	$V_{DS}=40V, V_{GS}=0V$			100	μA
Gate Threshold Voltage	V_{TH}	$V_{DS}=10V, I_D=1mA$	2.0	3.0	4.0	V
Forward Transconductance	$Re(yfs)$	$V_{DS}=10V, I_D=35A$	30	50		S
Static Drain to Source On-Resistance	$R_{DS(ON)}$	$I_D=35A, V_{GS}=10V$		5.0	6.0	m Ω
Input Capacitance	C_{iss}	$V_{DS}=10V$ $V_{GS}=0V$ $f=1MHz$		5100		pF
Output Capacitance	C_{oss}			1200		
Reverse Transfer Capacitance	C_{rss}			860		
Turn-On Delay Time	$t_{d(on)}$	$I_D=35A, V_{DD} \approx 20V$ $R_G=22\Omega, R_{GS}=50\Omega$ $R_L=0.57\Omega, V_{GS}=10V$ See Fig.3		100		ns
Rise Time	t_r			100		
Turn-Off Delay Time	$t_{d(off)}$			300		
Fall Time	t_f			130		
Source-Drain Diode Forward Voltage	V_{SD}	$I_{SD}=50A, V_{GS}=0V$		0.9	1.2	V
Source-Drain Diode Reverse Recovery Time	t_{rr}	$I_{SD}=25A$ $di/dt=50A/\mu s$		100		ns
Thermal Resistance Junction to Case	$R_{th(ch-c)}$				3.57	$^{\circ}C/W$
Thermal Resistance Junction to Ambient	$R_{th(ch-a)}$				62.5	$^{\circ}C/W$

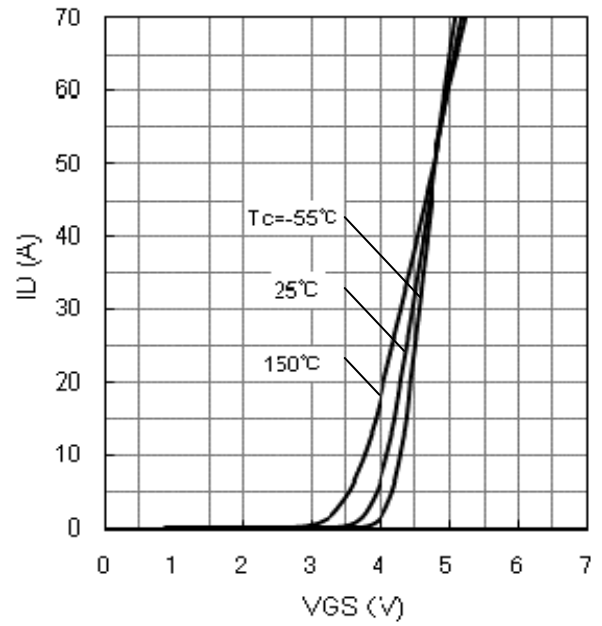
The information included herein is believed to be accurate and reliable. However, SANKEN ELECTRIC CO., LTD assumes no responsibility for its use ; nor for any infringements of patents or other rights of third parties that may result from its use.

Characteristic Curves (Tc=25°C)

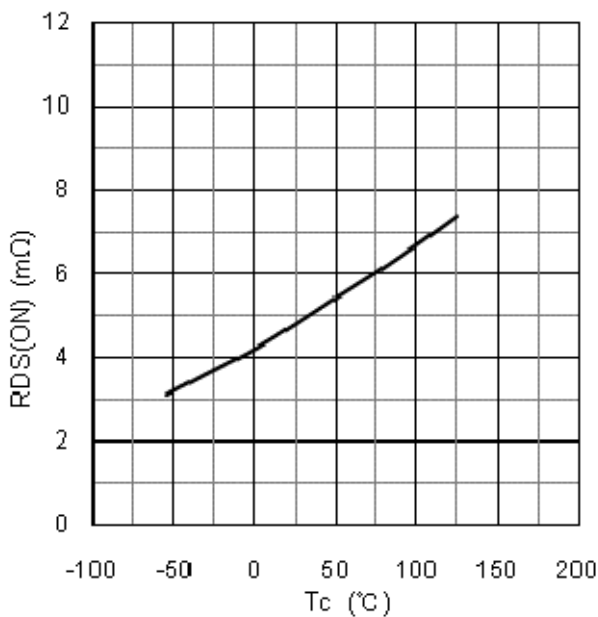
ID - VDS characteristics (typical)



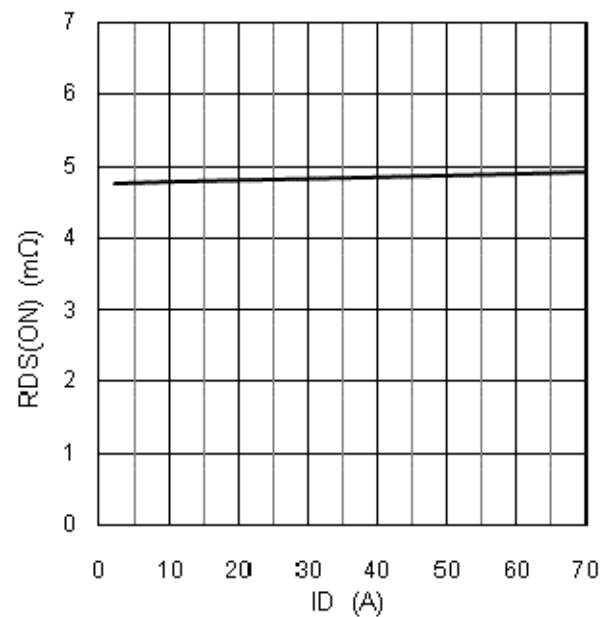
ID - VGS characteristics (typical)
VDS=10V



RDS(ON) - Tc characteristics (typical)
VGS=10V



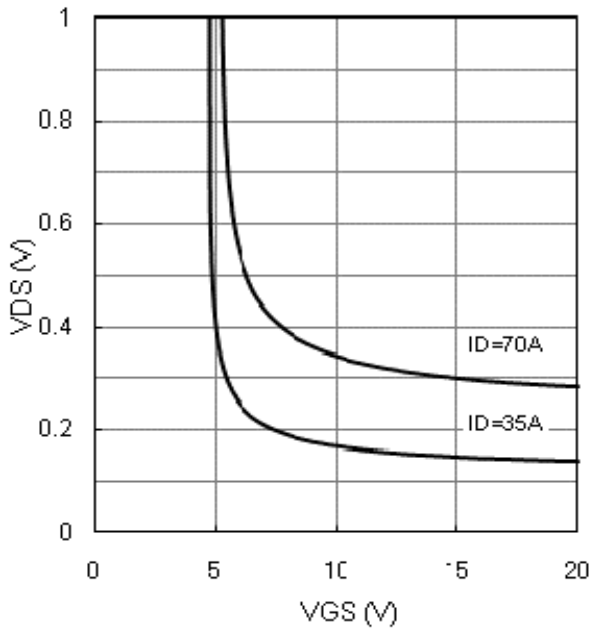
RDS(ON) - ID characteristics (typical)
VGS=10V



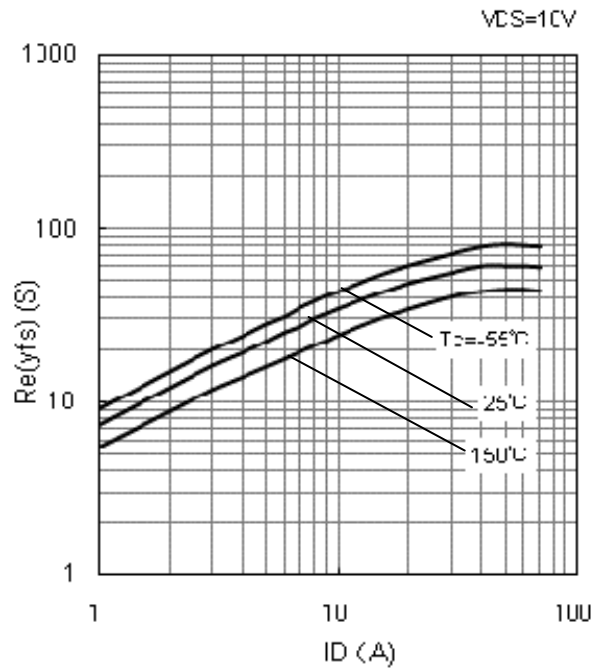
The information included herein is believed to be accurate and reliable. However, SANKEN ELECTRIC CO., LTD assumes no responsibility for its use ; nor for any infringements of patents or other rights of third parties that may result from its use.

Characteristic Curves (Tc=25°C)

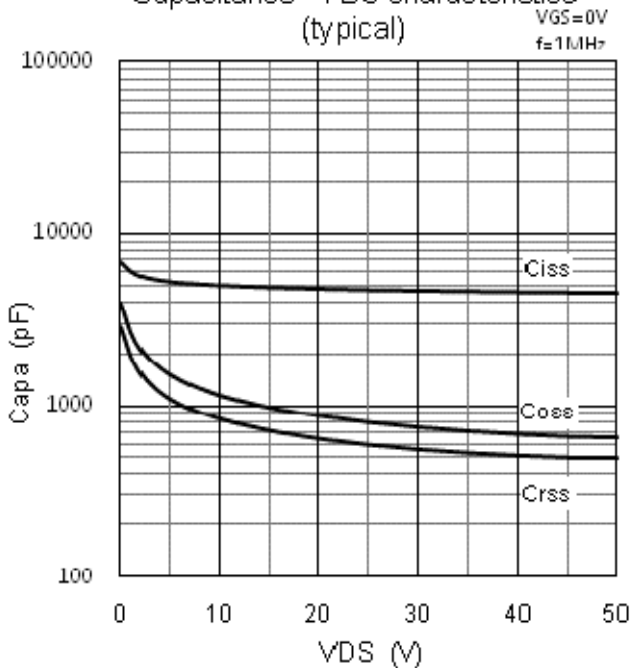
VDS - VGS characteristics (typical)



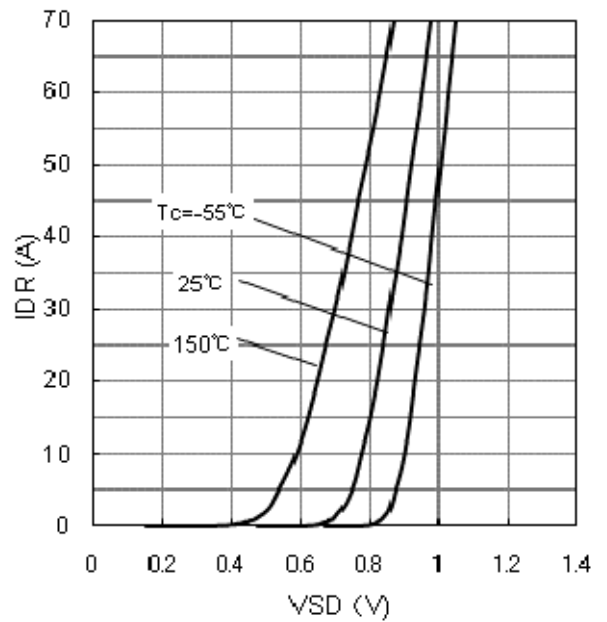
Re(yfs) - ID characteristics (typical)



Capacitance VDS characteristics (typical)

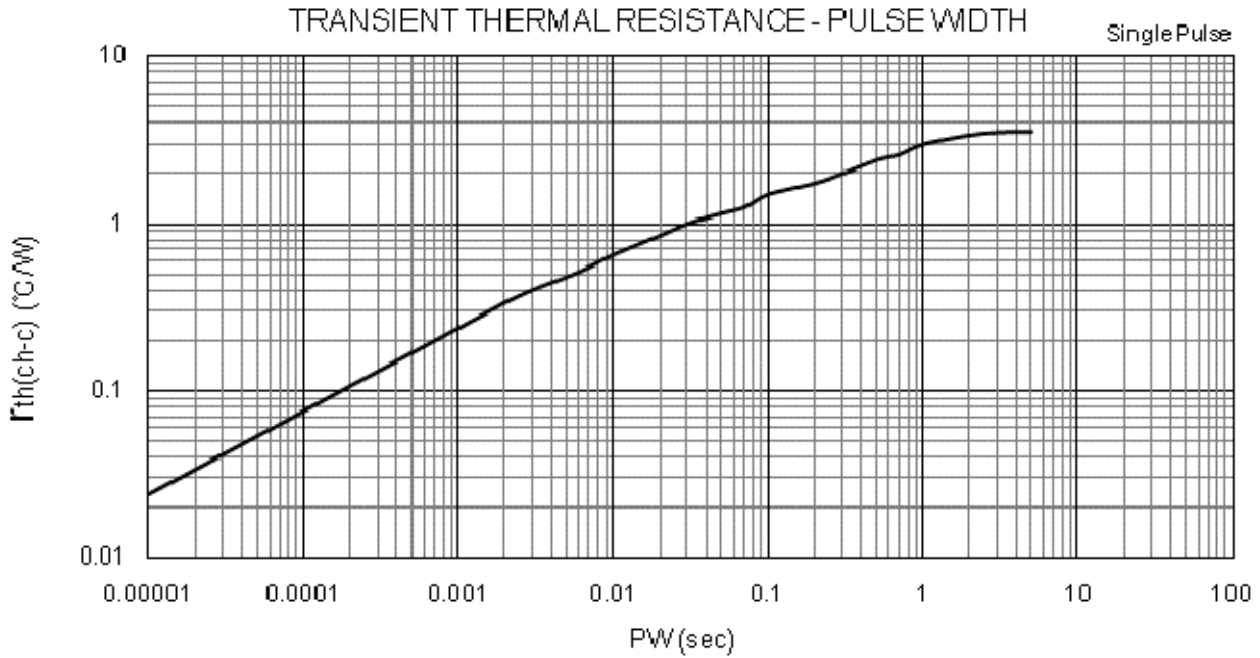


IDR - VSD characteristics (typical)

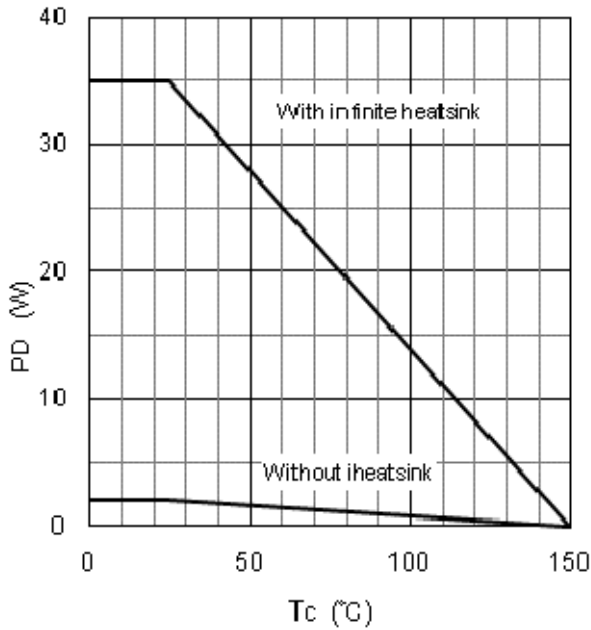


The information included herein is believed to be accurate and reliable. However, SANKEN ELECTRIC CO., LTD assumes no responsibility for its use ; nor for any infringements of patents or other rights of third parties that may result from its use.

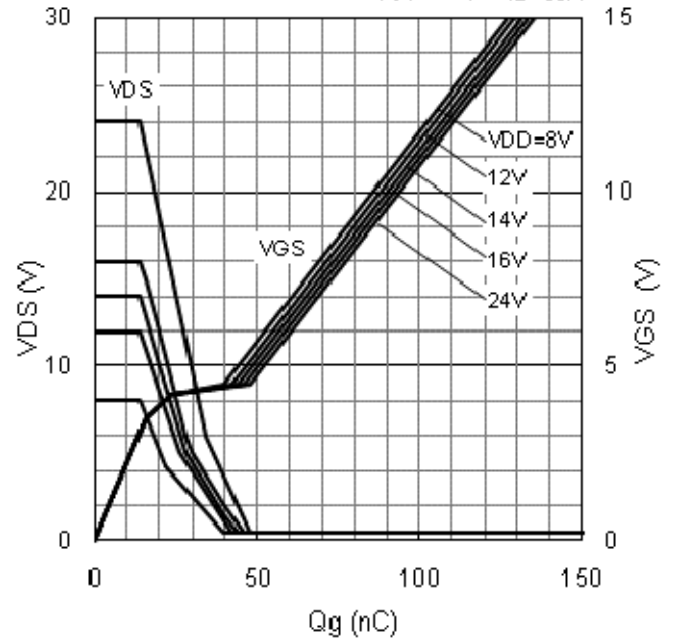
Characteristic Curves (Tc=25°C)



PD-Tc characteristics

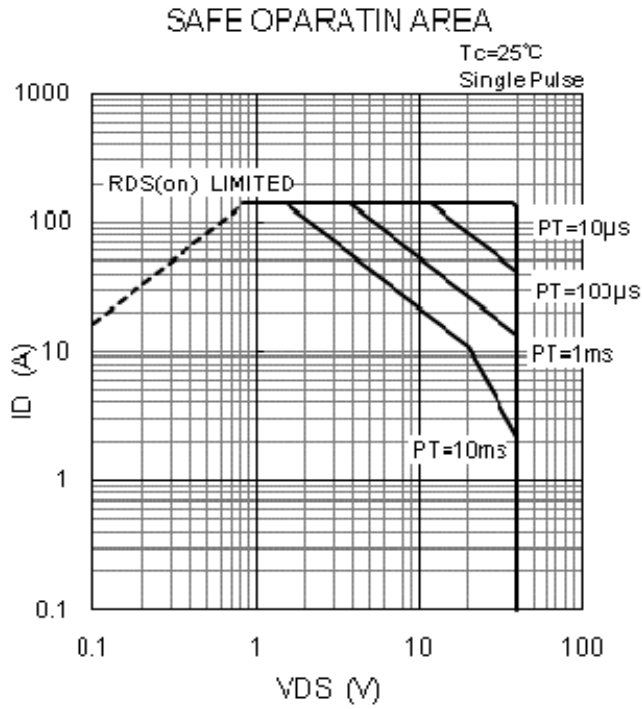


DYNAMIC INPUT/OUTPUT characteristics (typical) ID=35A



The information included herein is believed to be accurate and reliable. However, SANKEN ELECTRIC CO., LTD assumes no responsibility for its use ; nor for any infringements of patents or other rights of third parties that may result from its use.

Characteristic Curves (Tc=25°C)



The information included herein is believed to be accurate and reliable. However, SANKEN ELECTRIC CO., LTD assumes no responsibility for its use ; nor for any infringements of patents or other rights of third parties that may result from its use.

Fig.1 Unclamped Inductive Test Method

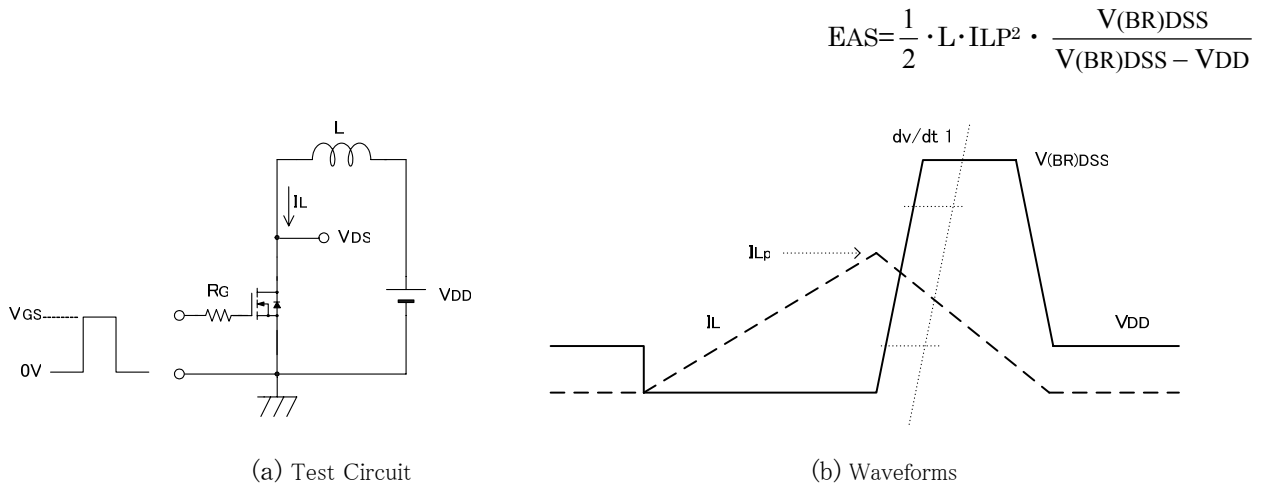


Fig.2 Diode Reverse Recovery Time Test Method

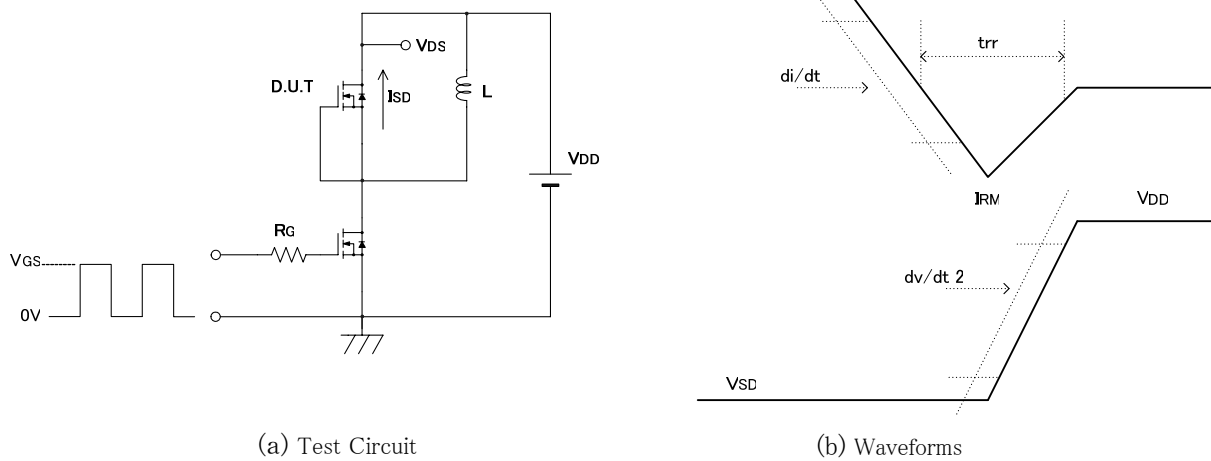
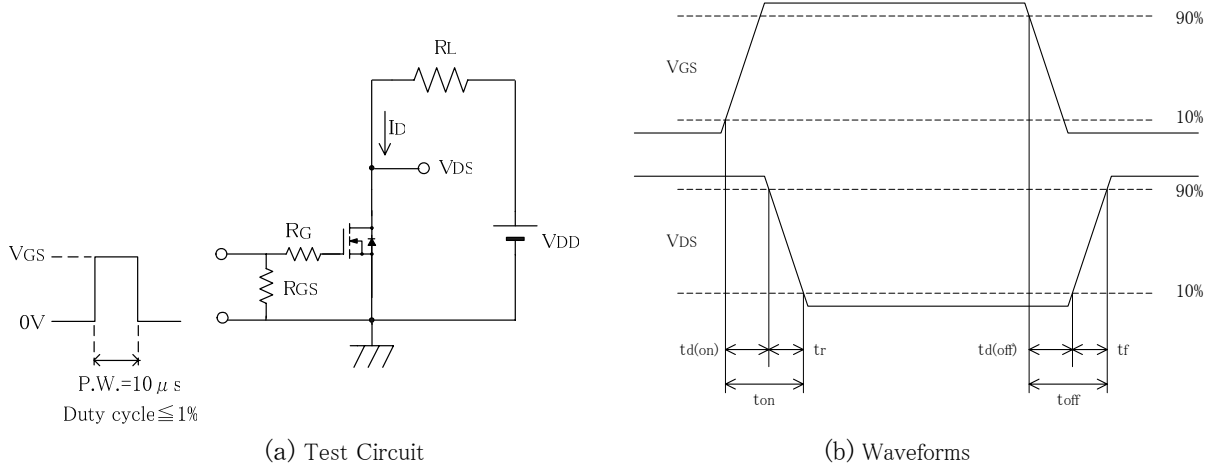


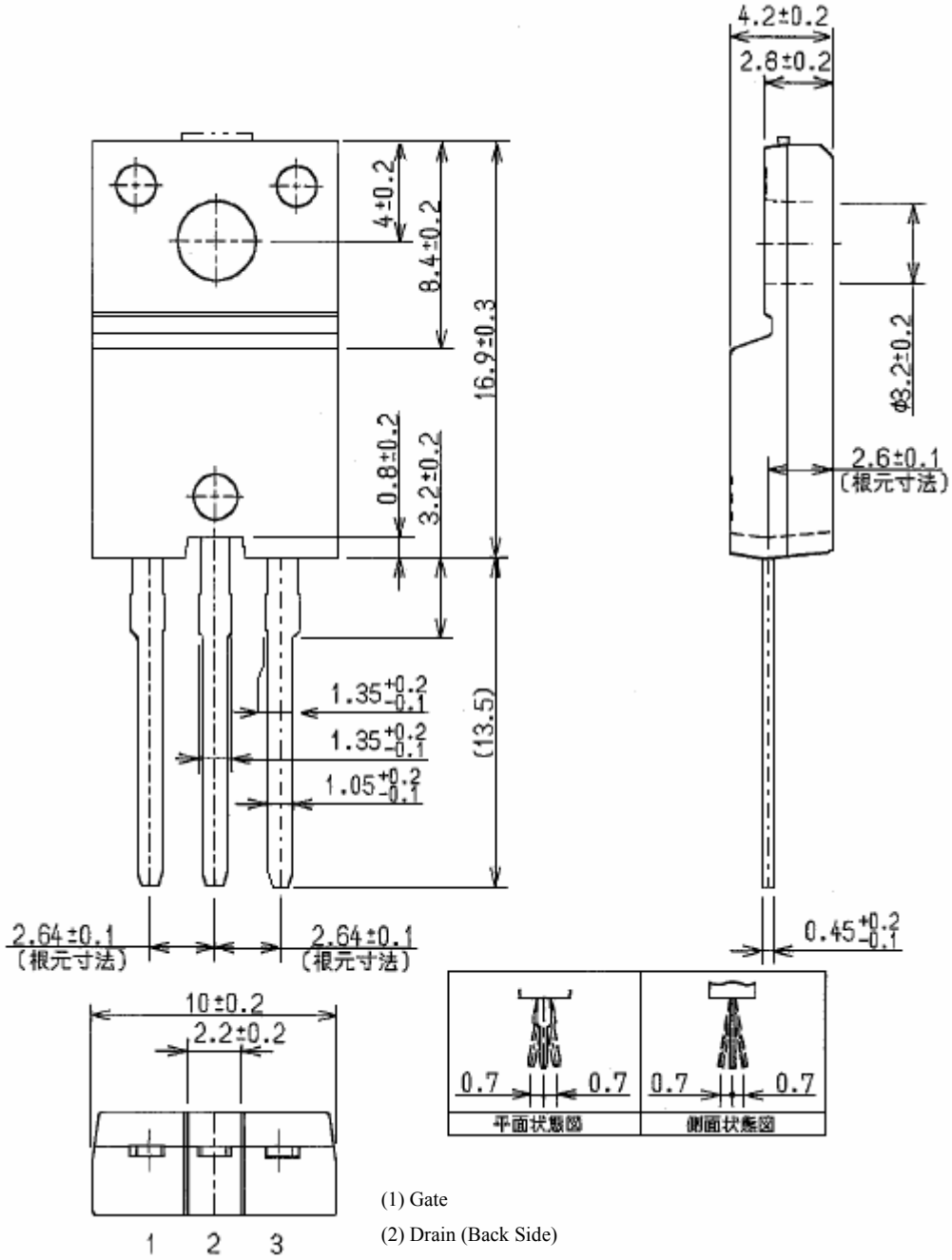
Fig.3 Switching Time Test Method



The information included herein is believed to be accurate and reliable. However, SANKEN ELECTRIC CO., LTD assumes no responsibility for its use ; nor for any infringements of patents or other rights of third parties that may result from its use.

Outline

FM20 (TO220 Full Mold)



Weight Approx. 2g

The information included herein is believed to be accurate and reliable. However, SANKEN ELECTRIC CO., LTD assumes no responsibility for its use ; nor for any infringements of patents or other rights of third parties that may result from its use.