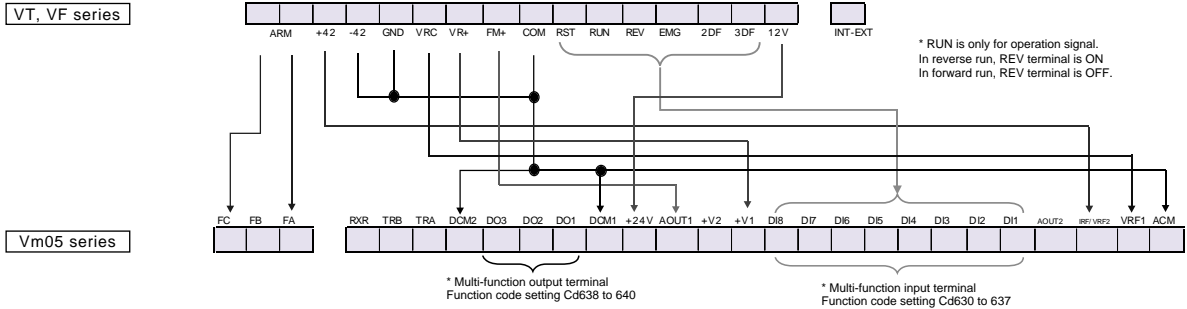
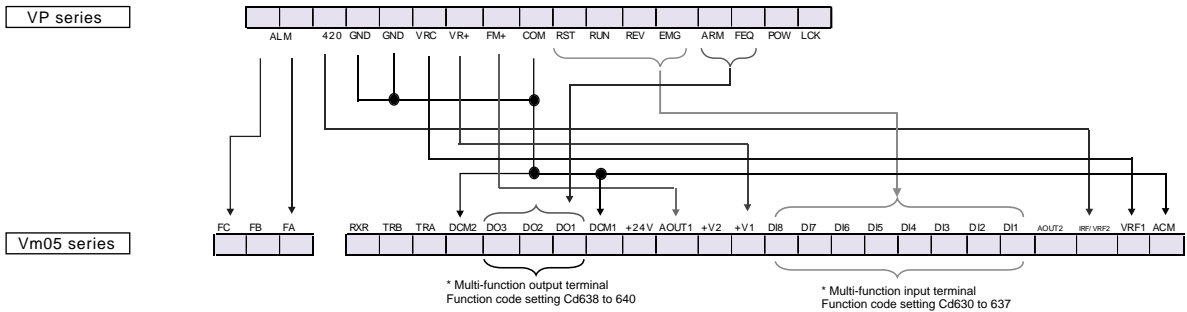


Control terminal compatibility diagram

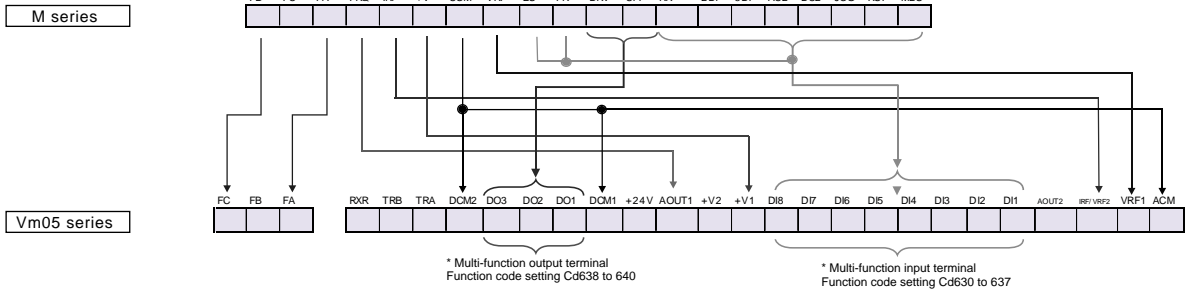
VT, VF compatibility



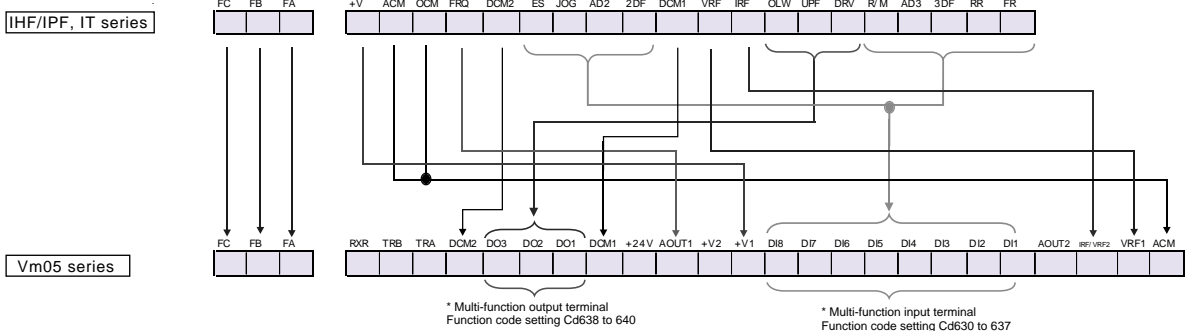
VP compatibility



MT, MF compatibility



IT, IHF/IPF compatibility



* For details on control terminal, please refer to our instruction manual.

* For IPF-75k and above, analog output terminals (AOUT terminals) are added from IHF/IPF series which equals to AOUT2 terminals in Vm05 series.